

RECOMMENDED FOR USE IN:

Carriageways carrying continuous heavy traffic.

The Inter-Ax combines a proven double triangular cover design with enhanced frame durability features that offers long term performance. Available in locked or ventilated variants Inter-Ax is a versatile solution suitable for a wide spectrum of applications.



DURABILITY

Includes the Load Transfer System (LTS) for optimum installation and product durability



SECURITY

Available as a bolt down variant to deter unauthorised access offering increased asset security



ACCREDITATION

Third party certified by BSI and kite marked to the requirements of BS EN 124. Compliant to the requirements of Highways England advice note HA104/09



PERFORMANCE

Three point suspension ensures non-rock and silent in operation performance



SAVE TIME & COST

A number of sizes are available with the Install Plus frame levelling and installation system

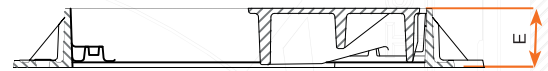
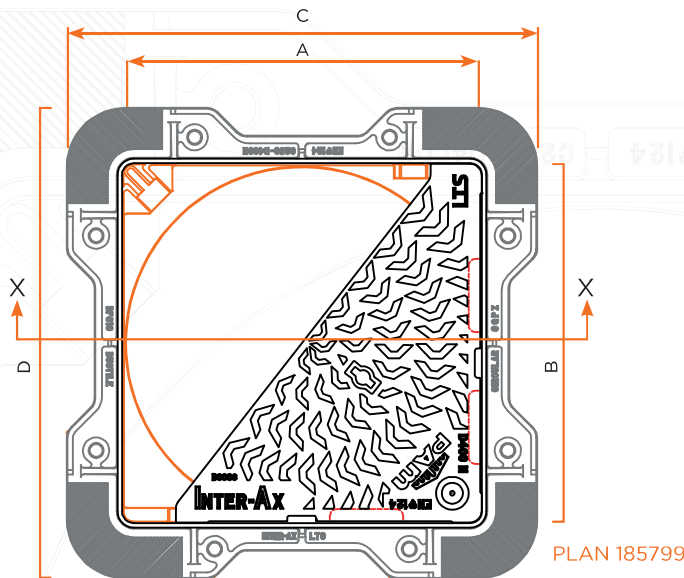


ROAD SAFETY

Radial raised chequer design with independently verified skid & slip resistance values

INTER-AX D400 ACCESS COVER 100 DEEP FRAME RANGE

SAP CODE	SAP CODE FOR SECURITY OPTION**	SAP CODE FOR MSG SAFETY GRID OPTION**	SAP SEAL CODE SEAL PLATE STANDARD	FOR MSG OPTIONS***	BS EN124 CLASS	CLEAR OPENING A x B (mm)	OVER BASE C x D (mm)	DEPTH E (mm)	VENTILATED COVER	MASS OF COVER (kg*)	TOTAL MASS (kg)	BEARING PRESSURE (N/mm ²)	PALLET QTY	PREVIOUS REF.
CD1A45MF	185770				D400	450 x 450	600 x 600	100	NO	32	52	1.86	20	BC00 1
185775	185776				D400	600 x 450	800 x 600	100	NO	42	71	2.22	10	BC02 1
	185789	185788			D400	600 x 600	800 x 800	100	NO	50	83	1.86	10	BC06 1
186796	185797				D400	600 x 600	800 x 800	100	YES	49	82	1.86	10	BC08 1
185799	185801	TBC	185800	185802	D400	600 Dia.	800 x 800	100	NO	50	87	1.86	10	BC10 1
185806		TBC			D400	600 Dia.	800 x 800	100	YES	49	85	1.86	10	BC12 1
	185814				D400	675 x 675	830 x 856	100	NO	70	107	1.82	10	BC22 1
185821	185822				D400	675 x 675	830 x 856	100	YES	69	106	1.82	10	BC24 1
206826	211988				D400	675 Dia.	830 x 856	100	NO	70	108	1.82	14	BC26 1
	TBC	TBC			D400	675 Dia.	830 x 856	100	YES	69	107	1.82	14	BC28 1
185836	185837				D400	750 x 600	900 x 800	100	NO	70	106	1.72	5	BC38 1
185847	185848				D400	750 x 750	1005 x 1005	100	NO	47.5	151	1.25	5	BC46 1
185854	185855				D400	750 x 750	1005 x 1005	100	YES	47	150	1.25	5	BC48 1
185857	185858				D400	900 x 600	1100 x 800	100	NO	44	131	1.64	5	BC54 1
185867	185868				D400	900 x 600	1100 x 800	100	YES	43	129	1.64	5	BC57 1
185870	185871				D400	910 x 900	1163 x 1155	125	NO	74	223	1.01	5	BC66 1
185874	185876	185875			D400	1250 x 675#	1500 x 878	100	NO	70	201	1.07	5	BC78 1
185889	185890	TBC			D400	1250 x 675#	1500 x 878	100	YES	69	199	1.07	5	BC81 1
215534		TBC			D400	1310 x 675#	1500 x 878	100	NO	70	197	1.19	5	BC82 1



- * Weight of 2 half cover sections loosely coupled together
- ** Secured with one countersunk hex headed bolt per cover section
- *** Bolt down MSG seal plate capable of withstanding an internal pressure of up to 0.5 bar
- + For Install Plus details see Install Plus information sheet

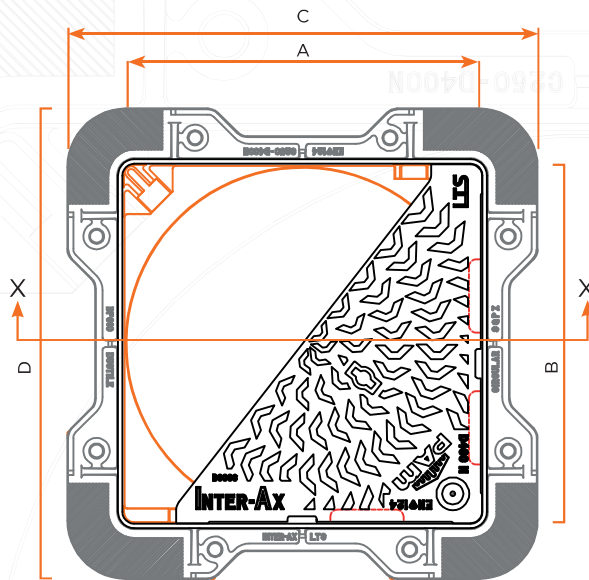
For information relating to the Inter-Ax 2 600x600 & 675x675, 100 & 150 deep product range please refer to product datasheet SGPUK008
Produced at Holwell Works, UK

The information on this sketch is, to the best of our knowledge correct at the time of printing. However Saint-Gobain are constantly looking at ways of improving their products and services therefore reserve the right to change without prior notice, any of the data shown. Any orders placed will be subject to our Standard Conditions of Sale, available on request.
COPYRIGHT AND DESIGN RIGHT

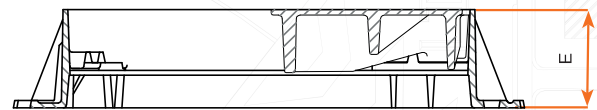
This drawing is the exclusive property of Saint-Gobain PAM UK and is confidential and must not be reproduced or disclosed for any third party without written consent. It must be used only for the purpose for which it has been issued and is returnable on request.

INTER-AX D400 ACCESS COVER 150 DEEP FRAME RANGE

SAP CODE FOR STANDARD PRODUCT	SAP CODE FOR SECURITY OPTION**	BS EN124 CLASS	CLEAR OPENING A x B (mm)	OVER BASE C x D (mm)	DEPTH E (mm)	VENTILATED COVER	MASS OF COVER (kg*)	TOTAL MASS (kg)	BEARING PRESSURE (N/mm ²)	PALLET QTY	PREVIOUS REF. STANDARD OPTION	PREVIOUS REF. SECURITY OPTION
185810	206901	D400	600 x 600	820 x 770	150	YES	49	93	1.92	10	BC16 1	BC16 1/BK
185811	TBC	D400	600 Dia.	820 x 770	150	NO	50	98	1.92	10	BC18 1	BC18 1/BK
TBC	TBC	D400	600 Dia.	820 x 770	150	YES	49	97	1.92	10	BC20 1	BC20 1/BK
185834	199736	D400	675 x 675	880 x 830	150	YES	69	123	1.77	5	BC32 1	BC32 1/BK
185842	185843	D400	750 x 600	960 x 810	150	NO	70	122	1.52	5	BC42 1	BC42 1/BK
237410	N/A	D400	750 x 750	975 x 930	150	NO	47.5 \diamond	166	1.72	5	BC50 1	N/A
257471	N/A	D400	900 x 600	1100 x 800	150	NO	44 \diamond	142	1.63	5	BC60 1	N/A



PLAN 185811



SECTION X-X 185811

* Weight of 2 half cover sections loosely coupled together \diamond denotes half cover not coupled, weight of one half cover only

** Secured with one countersunk hex headed bolt per cover section

+ For Install Plus details see Install Plus information sheet

For information relating to the Inter-Ax 2 600x600 & 675x675, 100 & 150 deep product range please refer to product datasheet SGPUK008 Produced at Holwell Works, UK

The information on this sketch is, to the best of our knowledge correct at the time of printing. However Saint-Gobain are constantly looking at ways of improving their products and services therefore reserve the right to change without prior notice, any of the data shown. Any orders placed will be subject to our Standard Conditions of Sale, available on request.

COPYRIGHT AND DESIGN RIGHT

This drawing is the exclusive property of Saint-Gobain PAM UK and is confidential and must not be reproduced or disclosed for any third party without written consent. It must be used only for the purpose for which it has been issued and is returnable on request.